
ONE ITEM IN EITHER A CUSHIONED CELL WRAP OR A CUSHIONED CELL BAG

1.0 SCOPE

- 1.1 This standard provides a method for the individual packaging of an item in either a plastic cushioned cell wrap or a plastic cushioned cell bag.

2.0 GENERAL

- 2.1 The requirements of LPS-40-001 latest revision (General Requirements Specification) shall be met in addition to the provisions of this packaging standard.

3.0 UNIT PACKAGING

- 3.1 The quantity per unit package shall be one (1) each.
- 3.2 Place item completely in either a plastic cushioned cell wrap or a plastic cushioned cell bag.
- 3.3 For plastic cushioned cell bag, close by press sealing, taping, or stapling (stapling is not permitted for an electronic item).
- 3.4 For plastic cushioned cell wrap, close by taping in a manner to ensure item is enclosed and does not separate from wrap.

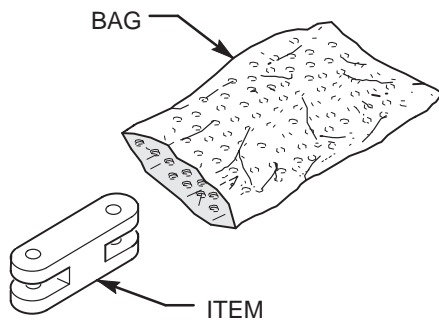


Figure 1.

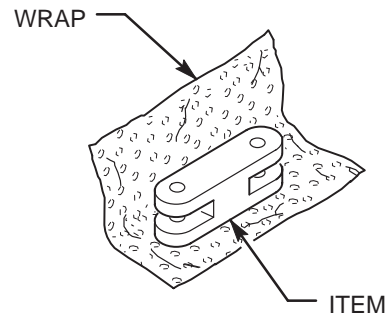


Figure 2.