

LMSSC PACKAGING STANDARD

P-33
Revision 2
Page 1 of 3
04-15-2009

ONE PART IN PLASTIC BAG WITH STIFFENER

1.0 SCOPE

This standard provides a method for the individual packaging of an item within a plastic bag with an interior stiffener.

2.0 REFERENCES

- 2.1 Lockheed Packaging Standard LPS 40-001 (General Requirements Specification)
- 2.2 Lockheed Packaging Standard P-201 "Thermal Control" Labels
- 2.3 NAS Packaging Standard 3415

3.0 REQUIREMENTS

3.1 GENERAL

- 3.1.1 The quantity per unit package shall be one (1) each.
- 3.1.2 Any loose item(s) required per part shall be enclosed in a separate plastic bag or vial and placed within the item bag.
- 3.1.3 Exposed silver or silver-plated parts shall be protected with tarnish-inhibitor material. Minimum surface area of the tarnish inhibitor shall be twice the area of the silver surface of the item.

NOTE: The treated side of the inhibitor material must be facing the item.

CAUTION: ITEMS HAVING ANY SURFACES INCOMPATIBLE WITH THE TARNISH INHIBITOR SHALL BE COMPLETELY WRAPPED WITH A NEUTRAL MATERIAL PRIOR TO APPLICATION.

- 3.1.4 Tarnish inhibitor may be adjacent to but shall not be allowed to come in contact with chemically finished surfaces such as anodize, iridite, chromate coatings and other nonferrous metal (e.g., cadmium, copper and brass).
- 3.1.5 Protect all exposed or projecting pins, contacts, fittings, etc., with proper size and style of protective caps, plugs and closures.

3.2 UNIT PACKAGING

- 3.2.1 Secure item to a stiffener board (noncorrosive) with tape, ties or skin packaging method (Ref Figure 1). Stiffener shall be of sufficient rigidity to prevent creasing/bending and shall extend beyond the item on all sides.
NOTE: Stiffeners may be used on both sides of the item to provide greater rigidity (Ref Figure 2).
- 3.2.2 If tape is used to secure the item, it shall not directly contact the item. A neutral wrap/bag may be used to protect the item from contact with the tape.
- 3.2.3 Insert the item mounted on stiffener into a transparent plastic bag; include tarnish inhibitor (if applicable) and close bag by heat sealing. Allow sufficient material to permit at least one additional heat seal.

3.3 INTERMEDIATE PACKAGING – (Consolidation of Unit Packages)

- 3.3.1 Pack unit packages containing identical items uniformly into paperboard/fiberboard containers. Gross weight/dimensions of each container shall not exceed its design specification.
- 3.3.2 Fill all voids with suitable dunnage, blocking or bracing to prevent damage during handling/shipment.

3.4 PACKING

- 3.4.1 Pack any number of intermediate containers uniformly into each shipping container.
- 3.4.2 Shipping containers as packed, shall protect each item and package during ordinary handling and shipping and shall meet the minimum requirements of the common carriers for acceptance for safe transportation at the lowest rate to the point of delivery (see contractual document).

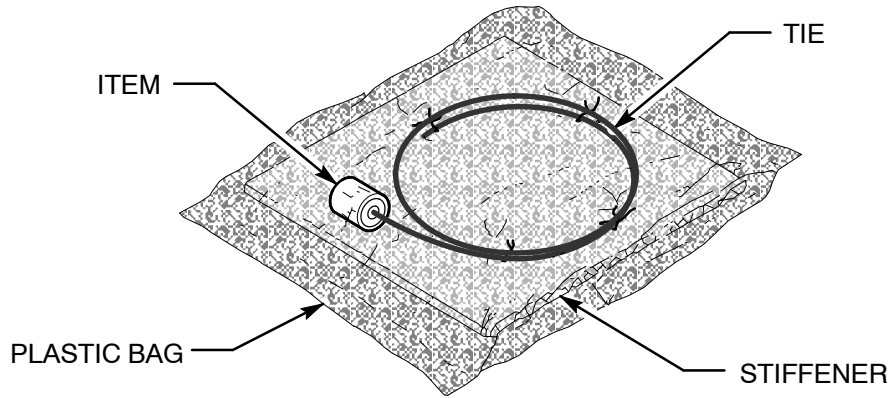


Figure 1. Item Mounted on Stiffener

P10008-001

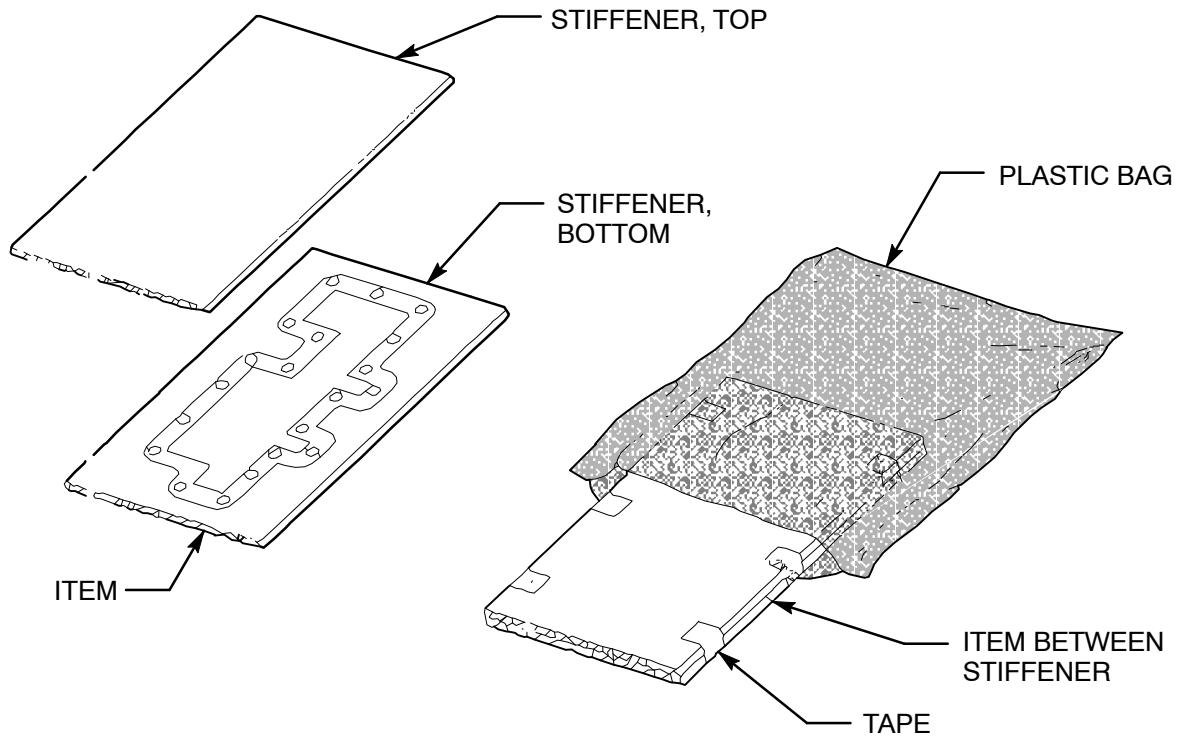


Figure 2. Item Sandwiched Between Stiffeners

P10007-001

- 3.4.3 Intermediate containers which meet the requirements of Paragraph 3.4.2 may be used as shipping containers.
- 3.4.4 Enclose or attach a copy of packing slip to the shipping container.

3.5 MARKING (Unless otherwise specified in the contract or Purchasing Document use the following criteria)

3.5.1 Unit Package Marking

Label or mark each package to show at least the part number per contracting document and supplier identity. If this data is readily visible and legible on each part inside the unopened container, the labeling or marking requirement is waived. When packages contain thermal control parts, label each package per P-201. Packages containing tarnish inhibitor shall be marked/labeled: "Protected with Tarnish Inhibitor – Do Not Open Until Ready for Use or Inspection." Additional markings may be specified in the item detail specification or drawing.

3.5.2 Intermediate Packaging Marking

Label or mark each container to, at least, show part number per contracting document, supplier and quantity of parts. Apply P-201 Thermal Control labels to intermediate container(s) when applicable.

3.5.3 Shipping Container Marking

Label or mark each container to show part number per contracting document, the LMSSC contracting document number, supplier, destination and quantity of parts.

3.5.4 Special handling, precautionary markings, etc., shall be applied as required.

4.0 QUALITY ASSURANCE

4.1 Packaging shall be accomplished in such a manner as to prevent physical damage to, or degradation of, the packaged items during delivery to the using activity. It shall be the prerogative of LMSSC to return damaged items, at supplier's expense, when such damage is attributable to improper or inadequate protection.

5.0 NOTES

5.1 The following information is intended as a guide or aid to suppliers in meeting the requirements of this specification:

5.1.1 DEFINITION – Unprotected Silver Surfaces. All metallic silver surfaces (having stringent reflectivity or conductivity requirements, close-tolerance finishes and/or dimensions, without supplementary tarnish-resistant treatment), the deterioration of which may result in premature failure or malfunction of the item or equipment having such surfaces.

5.1.2 REFERENCES

<u>Commodity</u>	<u>Military/Commercial Specifications</u>
Box, Fiberboard	ASTM D5118, Type CF, Class Domestic, SW (optional) Style RSC, Grade 44 ECT or 200 Mullen (optional)
Box, Folding Paperboard	PPP-B-566
Box, Setup Paperboard	PPP-B-676
Cushioning, Cellulosic	A-A-1898, Grade 1, Class C, Style 1, Size L. (optional) Kraft Backed
Fiberboard, Corrugated/Solid	ASTM D4727, Type CF, Class Domestic, SW (optional), Grade 200 (optional)
Protective Caps	AS-90376 or NAS 831; NAS 813, 820
Sheet, Plastic	A-A-3174, Type I, Class 1, Grade B
Silver Tarnish Inhibitor	Commercially Available (Must be approved by LMSSC PMP)
Fiber Box, Closing	ASTM D1974